

# R J CONSANI (PTY) LTD

SPECIALISED MECHANICAL ENGINEERING

TEL: 021 945 4261

info@consani.co.za

FAX: 021 948 1929

www.consani.co.za

# CONSANI PRODUCTS

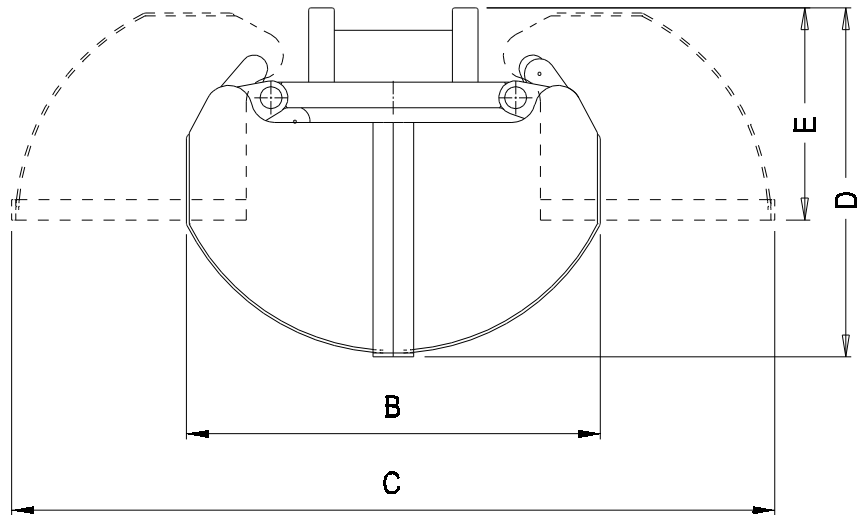
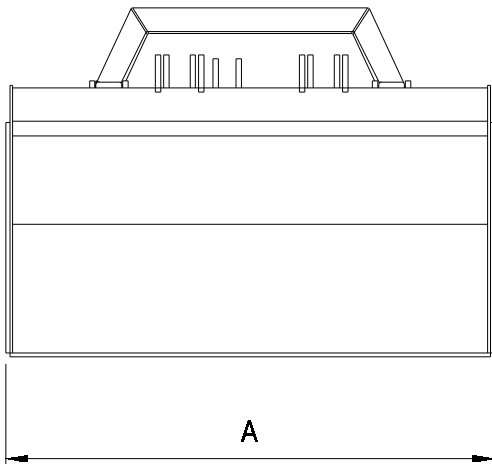
HYDRAULIC CLAMSHELL BUCKET

LARGE SERIES 1000 - 1500 Ltr

LARGE CAPACITY CLAMSHELL BUCKETS SUITABLE FOR HANDLING LOOSE MATERIALS WITH A DENSITY OF LESS THAN 1.8 TON PER CUBIC METRE

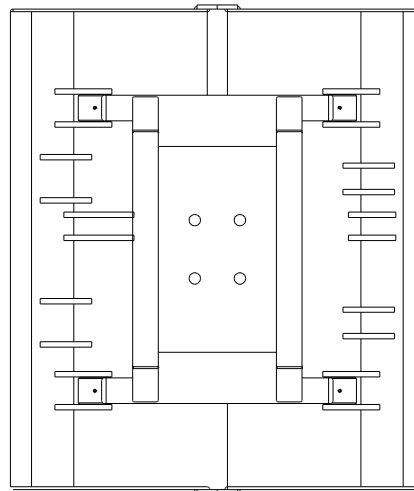
FRONT VIEW - CLOSED

SIDE VIEW - CLOSED (DASHED LINES - OPEN)



**FEATURES:**

- HIGH TENSILE STEEL CONSTRUCTION
- REPLACEABLE WEAR RESISTING STEEL CUTTING EDGES
- ROBUST, STURDY DESIGN
- HEADPREPARED WITH DIA 18 HOLES ON 140 CENTRES FOR STANDARD HYDRAULIC ROTATORS
- LONG LASTING, REPLACEABLE BUSHES, EQUIPPED WITH GREASE NIPPLES
- SIX MONTH GUARANTEE ON MATERIALS AND WORKMANSHIP
- BUCKET OPENS WIDE TO TAKE A LARGE "BITE" AND HENCE FILLS TO CAPACITY EASILY
- CYLINDERS ARE OF TIE ROD TYPE FOR EASY MAINTENANCE
- HARD CHROMED CYLINDER RODS
- INSTRUCTION AND SPARE PARTS MANUAL SUPPLIED
- SPARE BEARINGS, CYLINDER AND CYLINDER PARTS OFF THE SHELF



TOP VIEW - CLOSED

SPECIFICATIONS MAY ALTER WITHOUT NOTICE

MODEL	CAPACITY	DIM A	DIM B	DIM C	DIM D	DIM E	APPROX. MASS	WORKING PRESS.	MAX FLOW RATE
	litre	mm	mm	mm	mm	mm	kg	MPa	Ltr/min
D682-1000	1000	1448	1226	2262	1035	629	520		50
D792-1250	1250	1266	1700	2808	1147	783	570		50
D8102-1500	1500	1516	1700	2808	1147	783	630		50

[WWW.CONSANI.CO.ZA](http://WWW.CONSANI.CO.ZA)

