

R J CONSANI (PTY) LTD

SPECIALISED MECHANICAL ENGINEERING

TEL: 021 945 4261

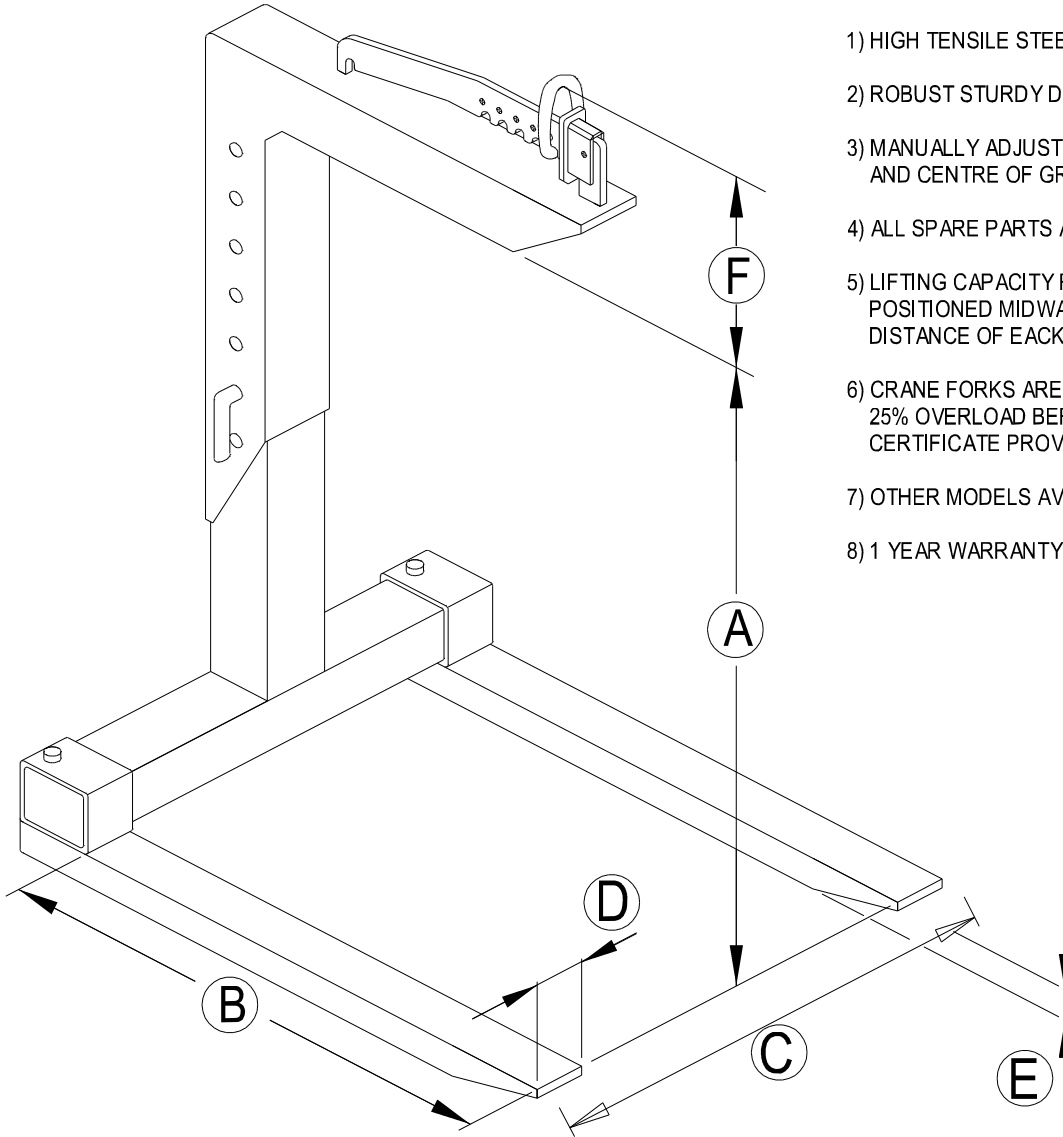
info@consani.co.za

FAX: 021 948 1929

www.consani.co.za

CONSANI

**MANUALLY ADJUSTABLE
CRANE FORKS**



- 1) HIGH TENSILE STEEL CONSTRUCTION.
- 2) ROBUST STURDY DESIGN.
- 3) MANUALLY ADJUSTABLE T-BAR HEIGHT, TINE WIDTH AND CENTRE OF GRAVITY OBLONG.
- 4) ALL SPARE PARTS AVAILABLE OFF THE SHELF.
- 5) LIFTING CAPACITY RATED WITH BARI-CENTRE OF LOAD POSITIONED MIDWAY BETWEEN TINES AND ON CENTRE DISTANCE OF EACH TINE.
- 6) CRANE FORKS ARE FACTORY TESTED TO A MINIMUM OF 25% OVERLOAD BEFORE BEING DISPATCHED AND A TEST CERTIFICATE PROVIDED.
- 7) OTHER MODELS AVAILABLE ON REQUEST.
- 8) 1 YEAR WARRANTY.

| MODEL | LIFTING CAPACITY | A MINIMUM | A MAXIMUM | B | C MINIMUM | C MAXIMUM | D | E | F | APPROX. MASS |
|------------|------------------|-----------|-----------|------|-----------|-----------|-----|----|-----|--------------|
| | Kg | mm | mm | mm | mm | mm | mm | mm | mm | Kg |
| F320-1600 | 1600 | 1040 | 1630 | 1000 | 450 | 1000 | 100 | 50 | 310 | 120 |
| F321B-1400 | 1400 | 1040 | 1630 | 1100 | 450 | 1000 | 70 | 70 | 310 | 113 |
| F322-1300 | 1300 | 1040 | 1630 | 1200 | 450 | 1000 | 100 | 50 | 310 | 120 |
| F322-2500 | 2500 | 1040 | 1640 | 1200 | 450 | 1000 | 120 | 60 | 320 | 168 |

SPECIFICATIONS MAY ALTER WITHOUT NOTICE

REF: CF-STD01

PLEASE VISIT WWW.CONSANI.CO.ZA FOR MORE TOP QUALITY PRODUCTS

