



# R. J. CONSANI (PTY) LTD

SPECIALISED MECHANICAL ENGINEERING

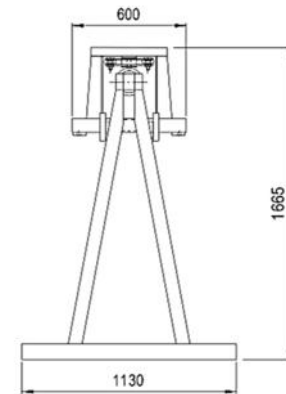
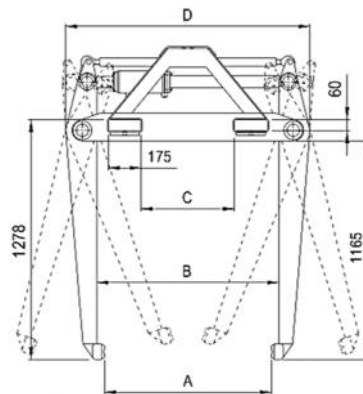
TEL: (021) 945 4261  
info@consani.co.za

FAX: (021) 948 1929  
www.consani.co.za

PO BOX 282  
BELLVILLE 7535  
SOUTH AFRICA  
7 ELECTRON STREET  
TRIANGLE FARM  
BELLVILLE  
Reg. No. 73/16680/07  
VAT No. 4270114418

## CONSANI HYDRAULIC BRICK HANDLING GRAB C-TYPE SPECIFICATIONS (HD FORKLIFT TYPE)

This hydraulically operated grab has been designed specifically as a heavy duty attachment to forklifts working in brick manufacturing yards. Based on the success of the truck mounted grab, the head has been redesigned to accommodate the high stresses induced by forklifts motoring, braking abruptly and turning sharply over uneven surfaces. It has been proven to be reliable and efficient. Minimizing costly downtime has always been on the forefront of the design criteria, thus only high quality seals, bearings and fittings are used. Several variations of these grabs are available to best suit the customer requirements and spares are typically available off-the-shelf.



DESCRIPTION	UNITS	MODEL			VARIATIONS:
DRAWING DIMENSIONS		C100	C300	C600	CYLINDERS
DIMENSION A (IDEAL)	mm	880	650	970	110 DIA WORKING PRESSURE 14-18MPa
DIMENSION A (MAX)	mm	1160	985	1250	125 DIA WORKING PRESSURE 11-14MPa
DIMENSION A (MIN)	mm	720	470	810	
DIMENSION B	mm	960	740	1050	GRIPS
DIMENSION C	mm	490	390	490	SEGMENTED POLYURETHANE SYSTEM FOR EVEN GRIP PRESSURE ON UNEVEN STACKS
DIMENSION D	mm	1260	1030	1350	
LIFTING CAPACITY (SWL)	Kg	1900			EXTENDED GRIP LENGTHS (DIMENSION C)
					1230mm
					1300mm
HYDRAULIC SPECIFICATIONS					
WORKING PRESSURE	MPa	18-22			
CYLINDER DIAMETER	mm	100			
CYLINDER STROKE	mm	110			
MAX FLOW RATE	l/min	26			
LINE PORTS	NPT	3/8"			FEATURES
					* DESIGNED SPECIFICALLY FOR HEAVY DUTY USE BY FORKLIFTS ON ROUGH TERRAIN.
SHIPPING DETAILS-UNCRATED					* LOW MAINTENANCE DESIGN
WET WEIGHT	Kg	335	305	350	* HIGH QUALITY CYLINDER SEALS
WIDTH	mm	1260	1030	1350	* INOVATIVE CYLINDER DESIGN
LENGTH	mm	1130			* HIGH FLOW RATE FOR FAST OPERATION
HEIGHT	mm	1640			* HARD CHROMED TO INTERNATIONAL STANDARDS
RECOMMENDED BRICK STACK					* HIGH QUALITY BEARINGS ON ALL PIVOTS
WIDTH	mm	880	650	970	* GREASE NIPPLES AT ALL PIVOT POINTS
LENGTH	mm	1100			* LEG CENTRALIZING SYSTEM
HEIGHT	mm	1150			* ROBUST, STRONG AND LIGHT

Directors: R.J. Consani (Pr.Eng.Intl.); P.D. Consani (NHD Mech.Eng.)

